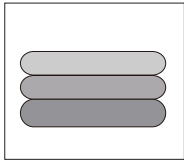


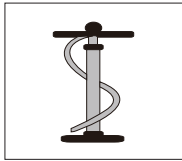


Aanbevolen druk
Empfohlener Druck
Recommended pressure
9 PSI
0,62 BAR

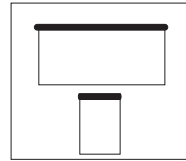
SET UP INSTRUCTION FOR VIERA 320 CONNECTED EASY AIR



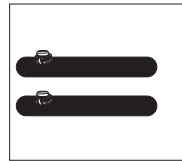
Flysheet



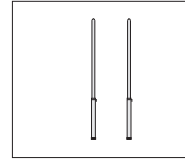
Pump/Gauge/Safety Valve



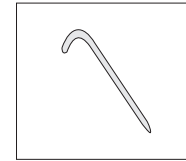
Draft Skirt/Wheel Cover



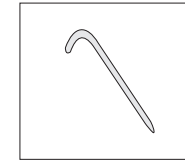
Storm Bar Pole x2
(Connected to Main Airbeam)



Rear Steel Pole x1set

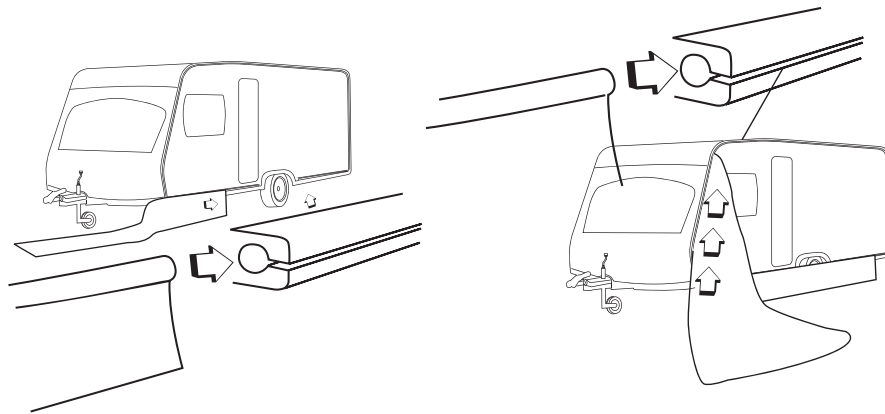


Peg 4.6mm*23cm 29pcs

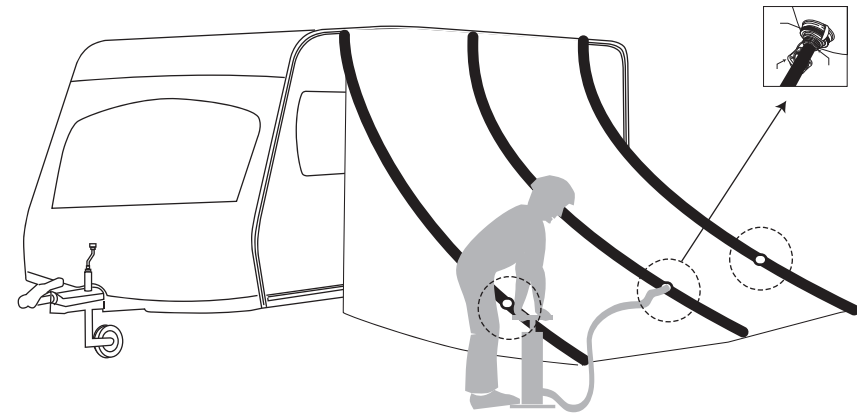


Peg 3.6mm*17cm 24pcs

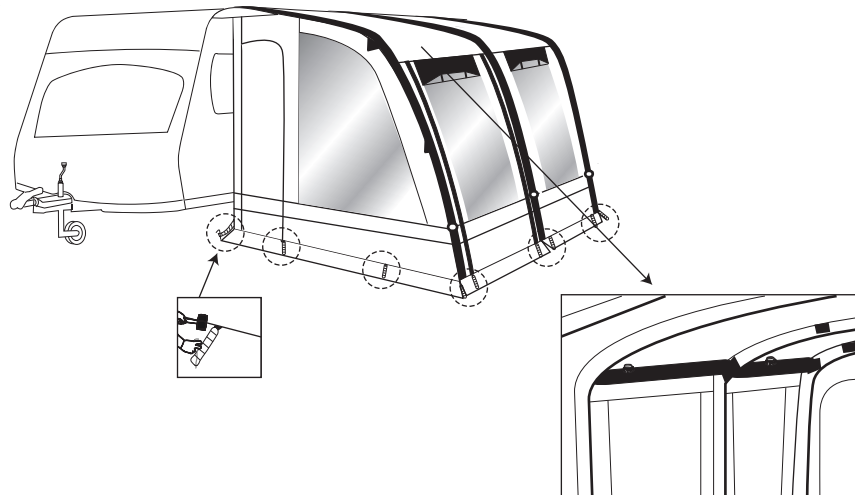
①



②



③



④

